



## The Garage Store Assembly Instructions

### Product: Overhead Storage Rack



#### Package Contents:

- 1 x Overhead Storage Rack 1.2x1.2m

#### Tools Required:

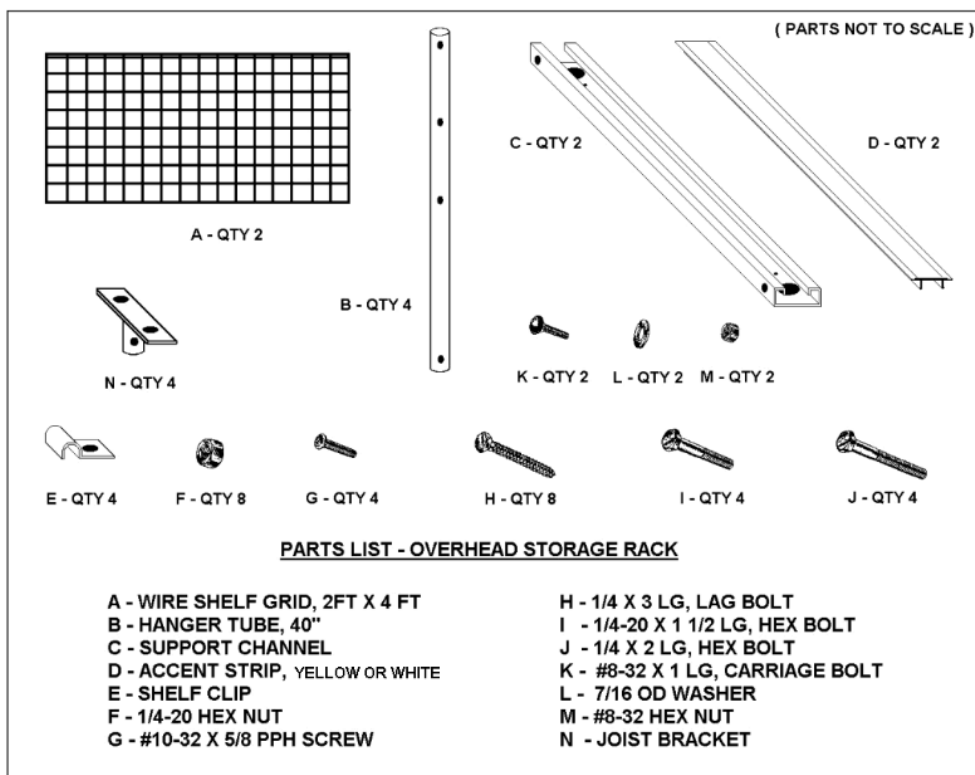
- Phillips screwdriver
- Pliers
- Drill
- Tape Measure & Pencil
- Stud finder
- Safety glasses
- Ladder
- Hacksaw or Grinder with cutting disc
- Size 10/11 open ended spanner

#### Notes:

The Garage Store  
01491 579975 | [info@thegaragestore.co.uk](mailto:info@thegaragestore.co.uk)  
[www.thegaragestore.co.uk](http://www.thegaragestore.co.uk)

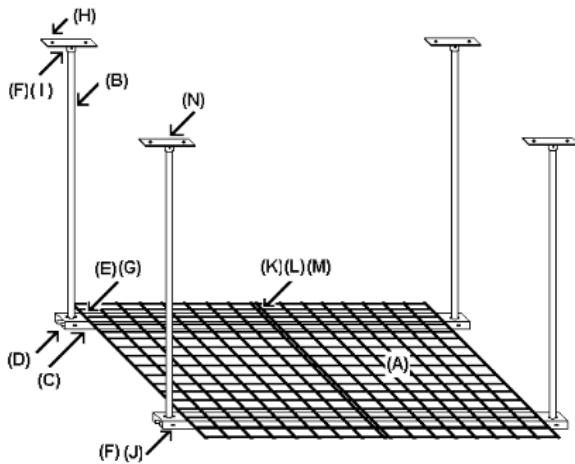
# The Garage Store Assembly Instructions

1. This Rack is designed for installation into ceiling wood joists or floor joists. Do not install into metal or concrete ceilings.
2. The installation brackets can be installed directly onto the joists or through drywall into the joists. If installing through drywall, you will have to identify the joist centres with a stud finder
3. Plan your installation carefully
4. The standard drop distance from the ceiling is 1 metre.
5. There are two other pre-determined drop distances of 0.5m and 0.75m. The hanging tubes are predrilled for these distances but will have to be cut to fit



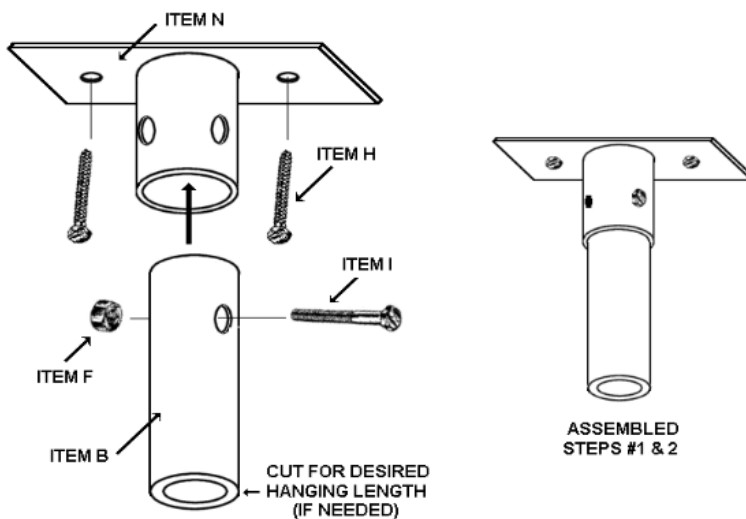


# The Garage Store Assembly Instructions



Step 1: If installing through drywall, locate and mark the ceiling joists using either a stud finder or drill

Step 2: Offer up a support channel (Item C) using its holes as a template to mark the positions on the joists where you will locate the joist brackets (Item N). Then mark the holes for fixing each joist bracket (Item N) and pre-drill 3/16" holes in the joists. Install the joist brackets (Item N) using the 3" lag bolts (Item H)



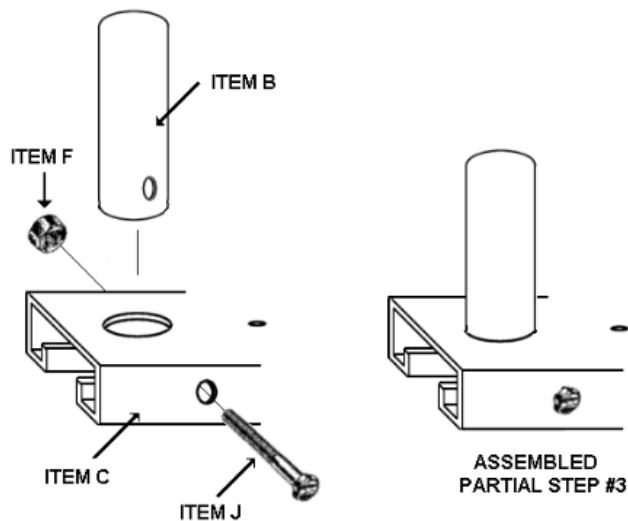


## The Garage Store Assembly Instructions

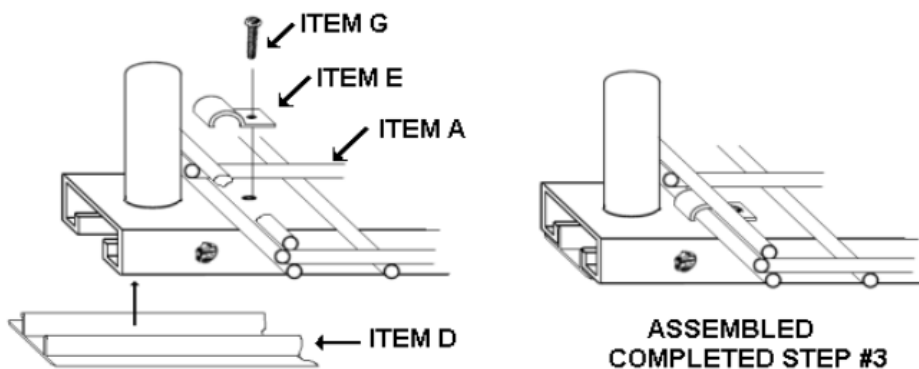
Step 3: Determine the desired shelf level and cut the hanger tubes (Item B) to length if required.

Step 4: Connect the joist brackets and hanger rods using screws and nuts (items F and I)

Step 5: Connect the support channel (Item C) to the hanger rods using screws and nuts (Items F and J)

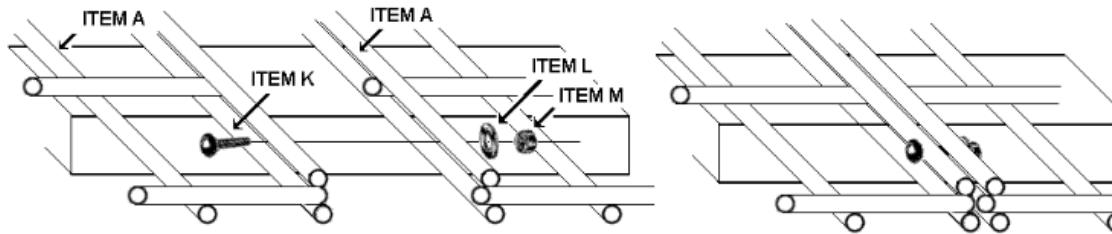


Step 6: Lay the wire shelves (Item A) on the support channels and fasten to the support using clips and screws (Items E and G). Snap the accent strips (item D) into the support channels.





## The Garage Store Assembly Instructions



Installation using Garageflex PowerTrack

You will need a set of FX9154 Round Ceiling Connectors which are supplied separately.

Step 1: Mark the ceiling joist locations where you want to install the rack

Step 2: Install two pieces of PowerTrack at 128.59cm apart and install the Track at 90 degrees to ceiling joists

Step 3: Install the 4 round ceiling connectors at 610mm to 914mm apart on the PowerTrack

Step 4: Complete installation using the instructions above

If you have any questions or need some advice regarding your installation, please do get in touch and we will do our best to help.

Unit 7 Westfield Farm  
Medmenham  
Buckinghamshire  
SL7 2TA

01491 579975 | [info@thegaragestore.co.uk](mailto:info@thegaragestore.co.uk)  
[www.thegaragestore.co.uk](http://www.thegaragestore.co.uk)



The Garage Store  
01491 579975 | [info@thegaragestore.co.uk](mailto:info@thegaragestore.co.uk)  
[www.thegaragestore.co.uk](http://www.thegaragestore.co.uk)